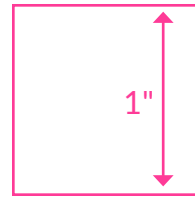
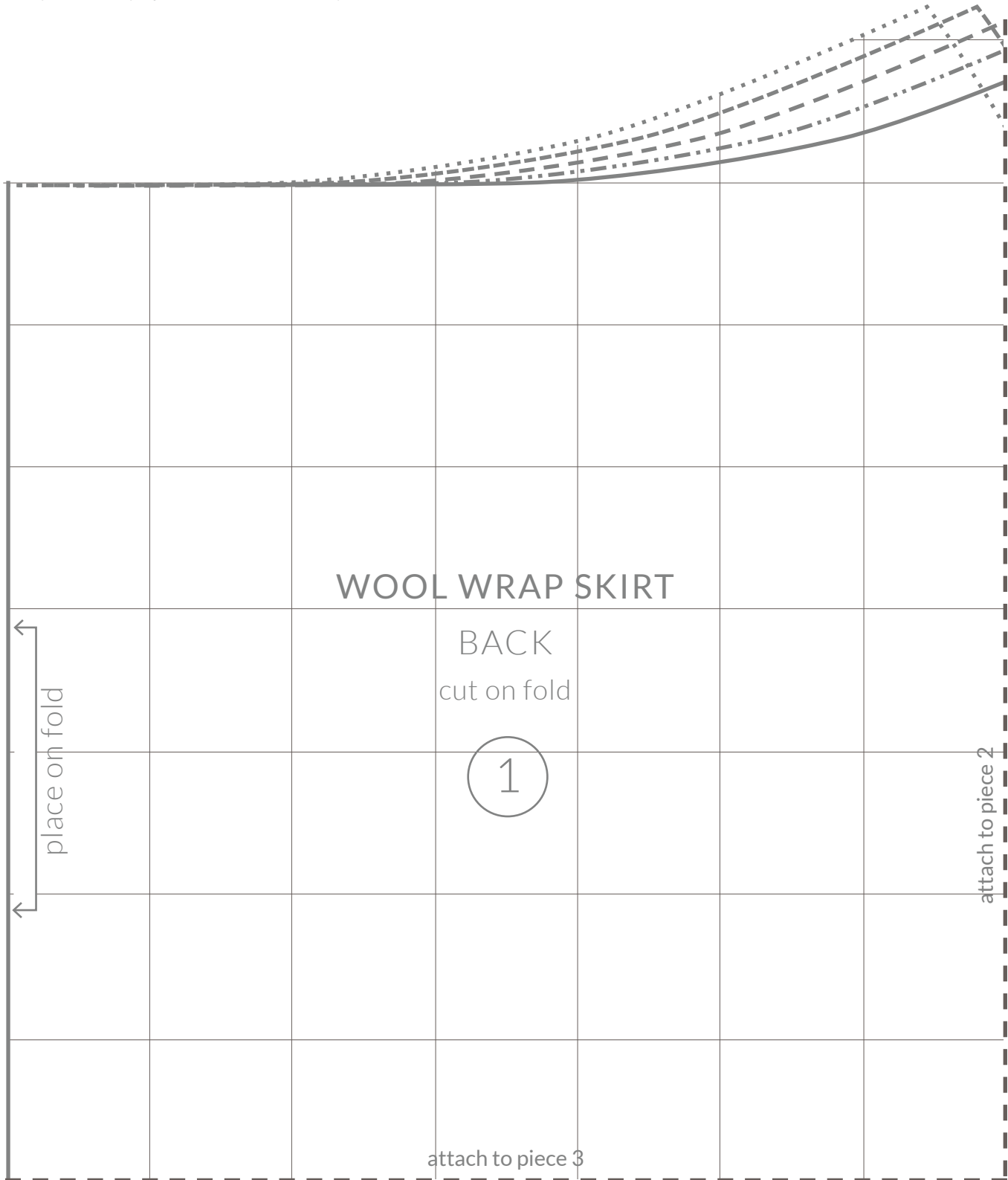


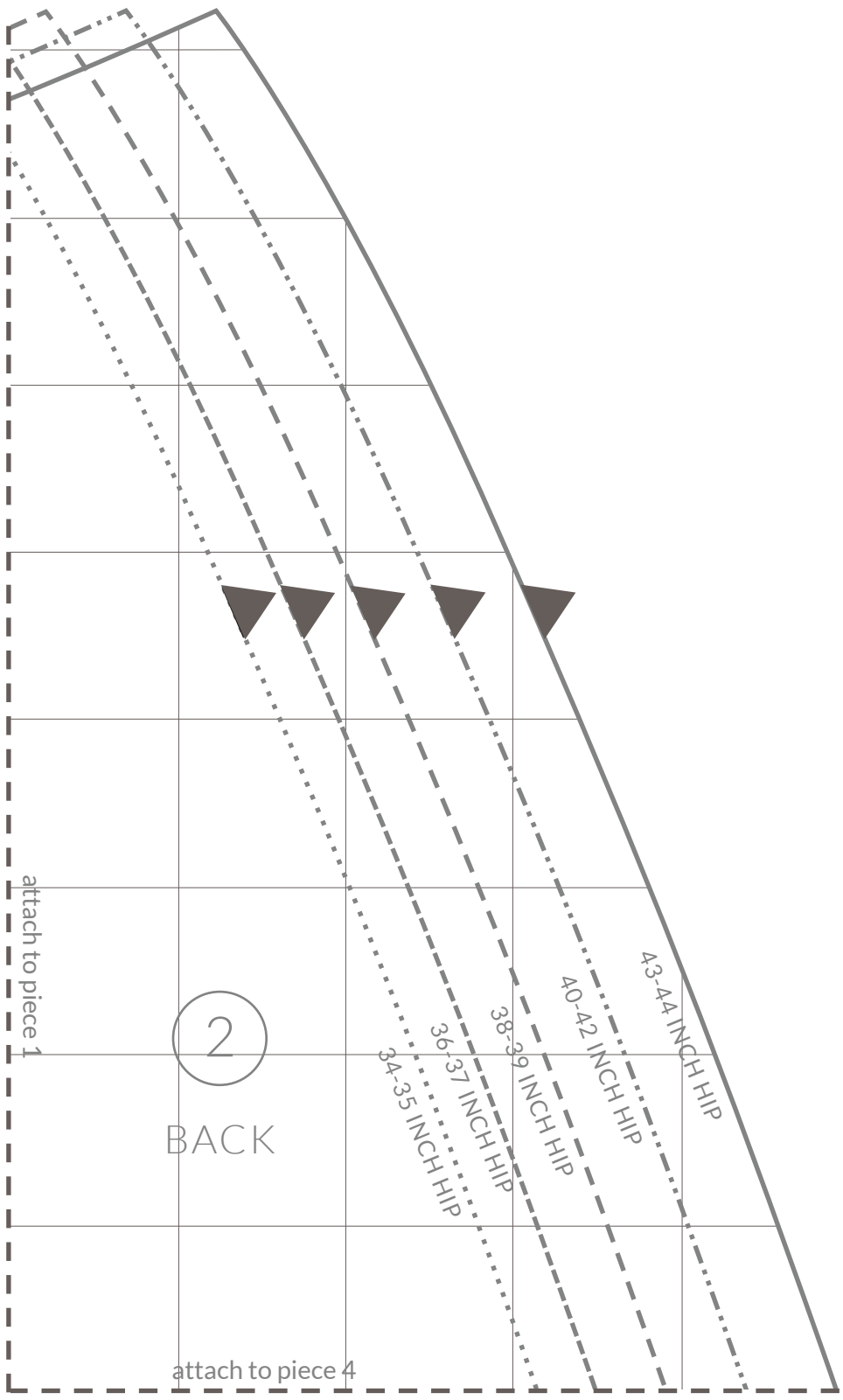
WOOL WRAP SKIRT

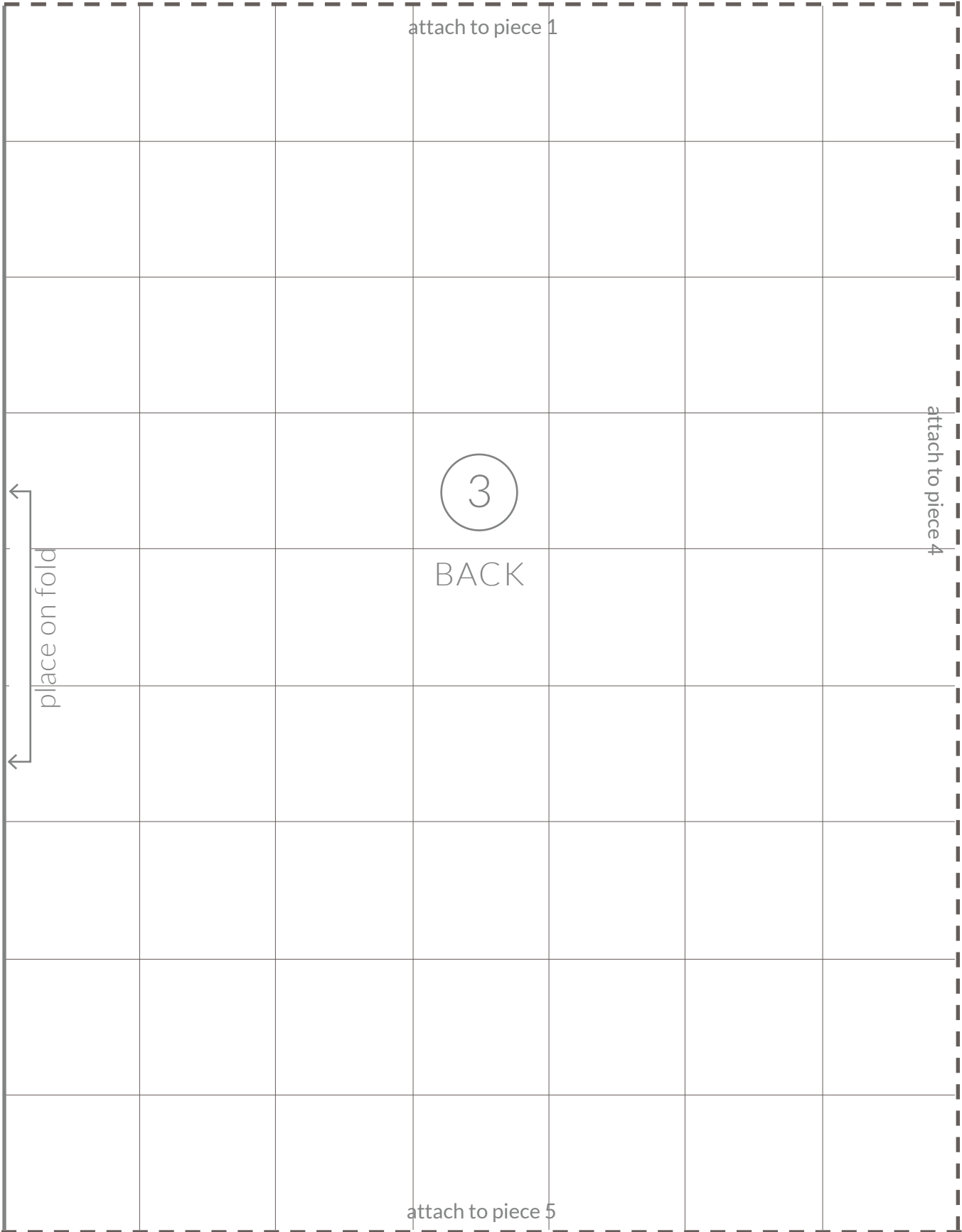
This pattern is copyright and the property of Purl Soho.
This pattern and project are for home use only, not for resale.

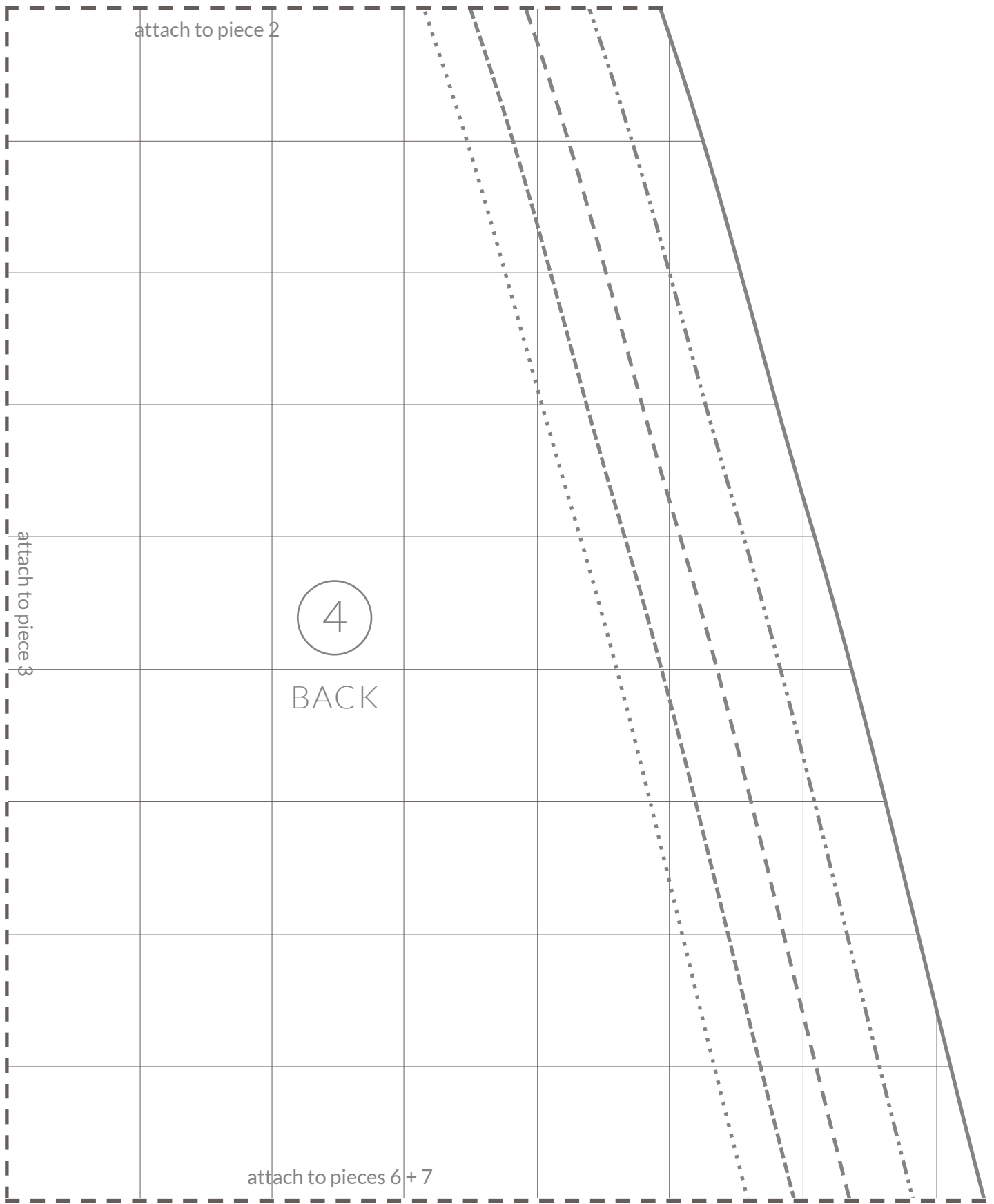


Before you cut out the template, please make sure this square measures 1 inch. If it doesn't, check your printer settings to verify you are printing at 100%.









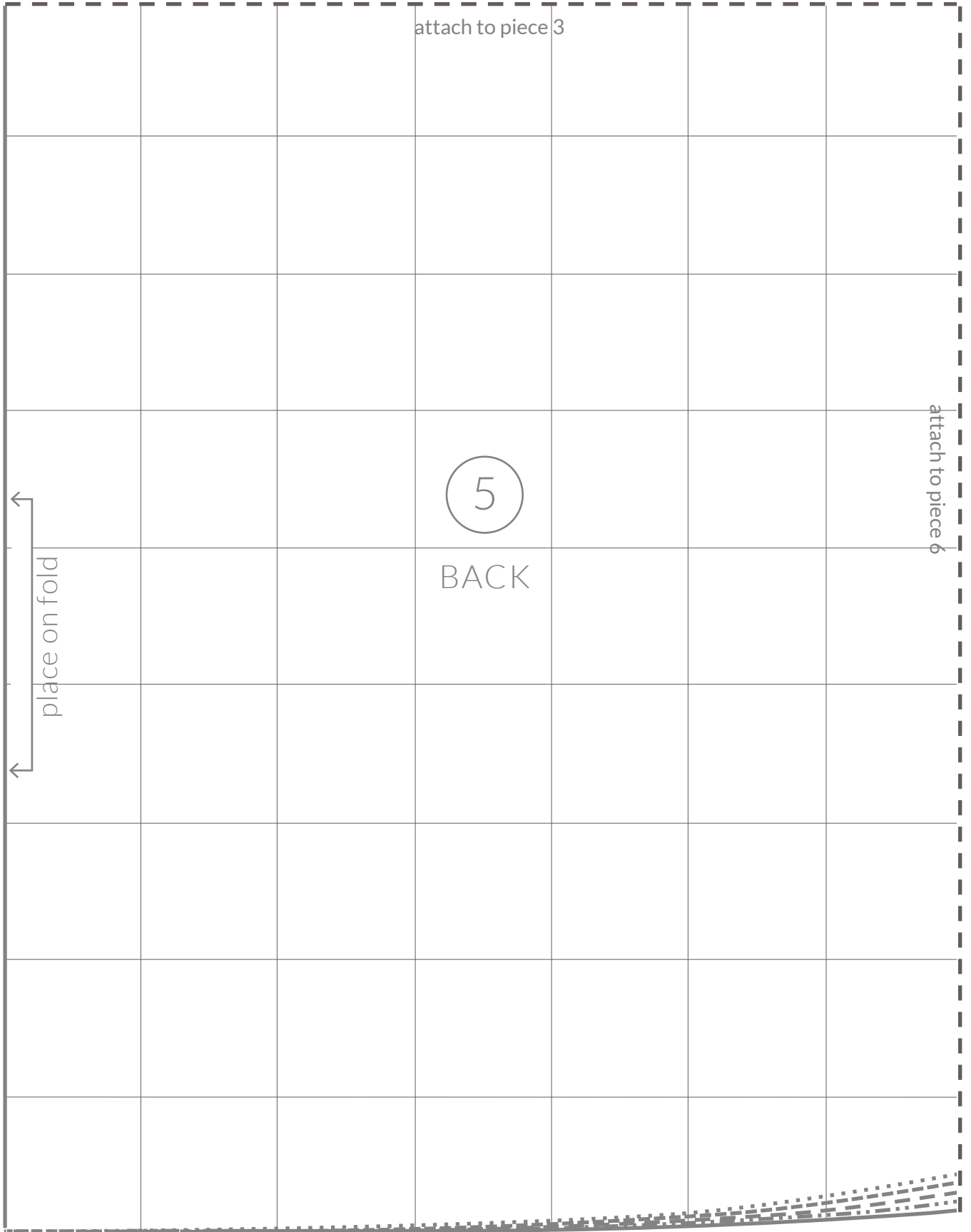
attach to piece 2

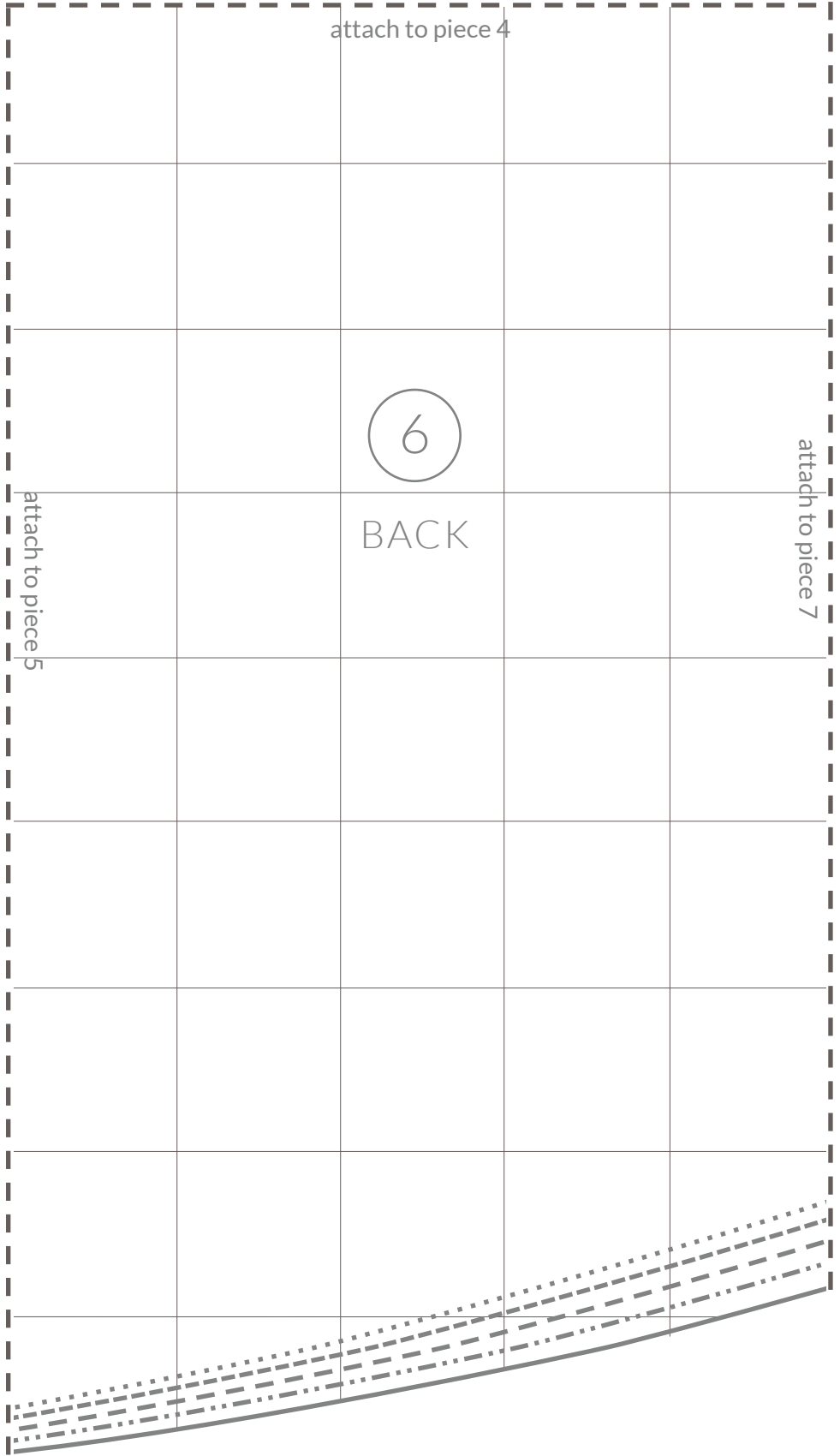
attach to piece 3

4

BACK

attach to pieces 6 + 7





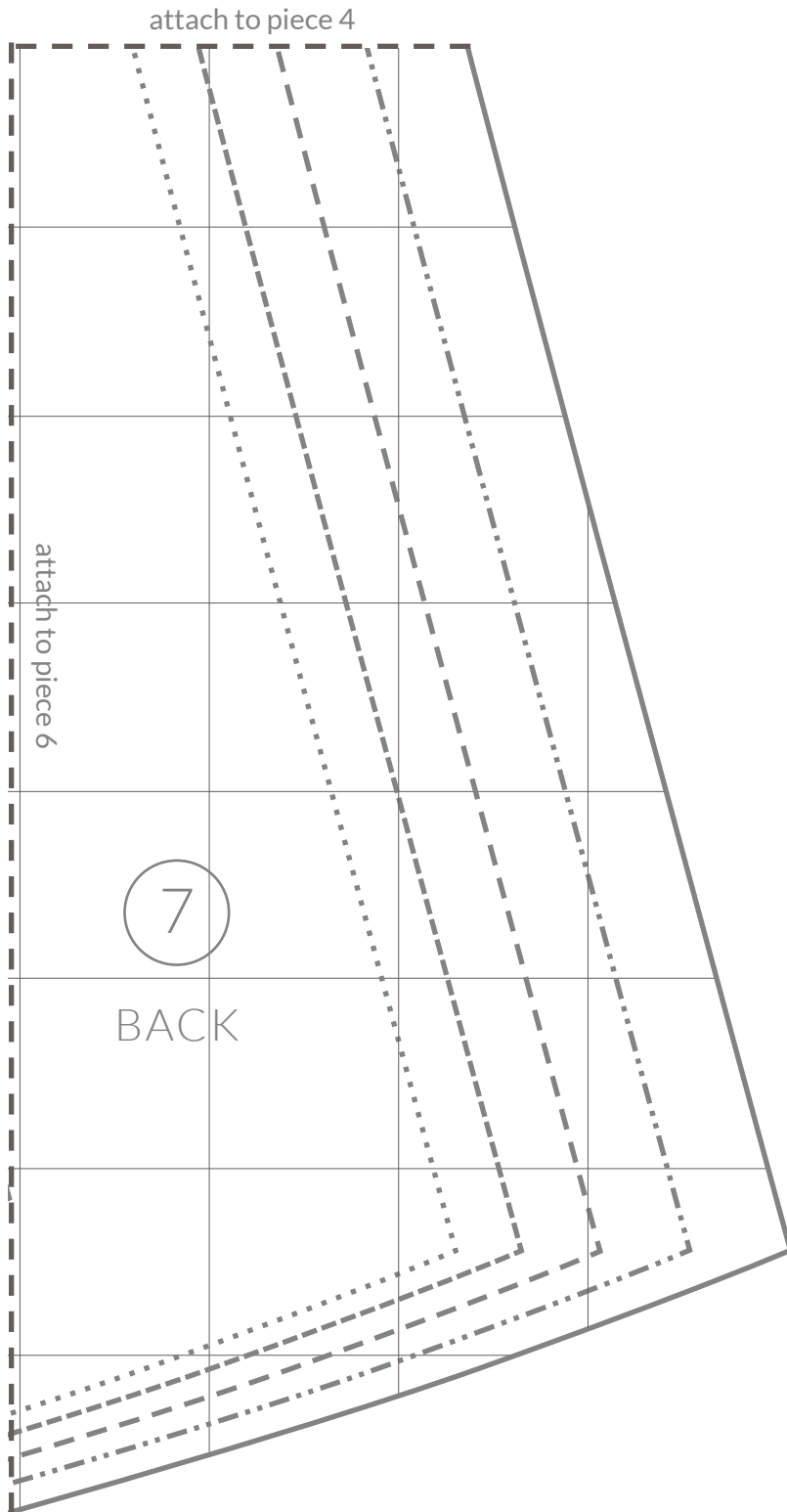
attach to piece 4

6

BACK

attach to piece 5

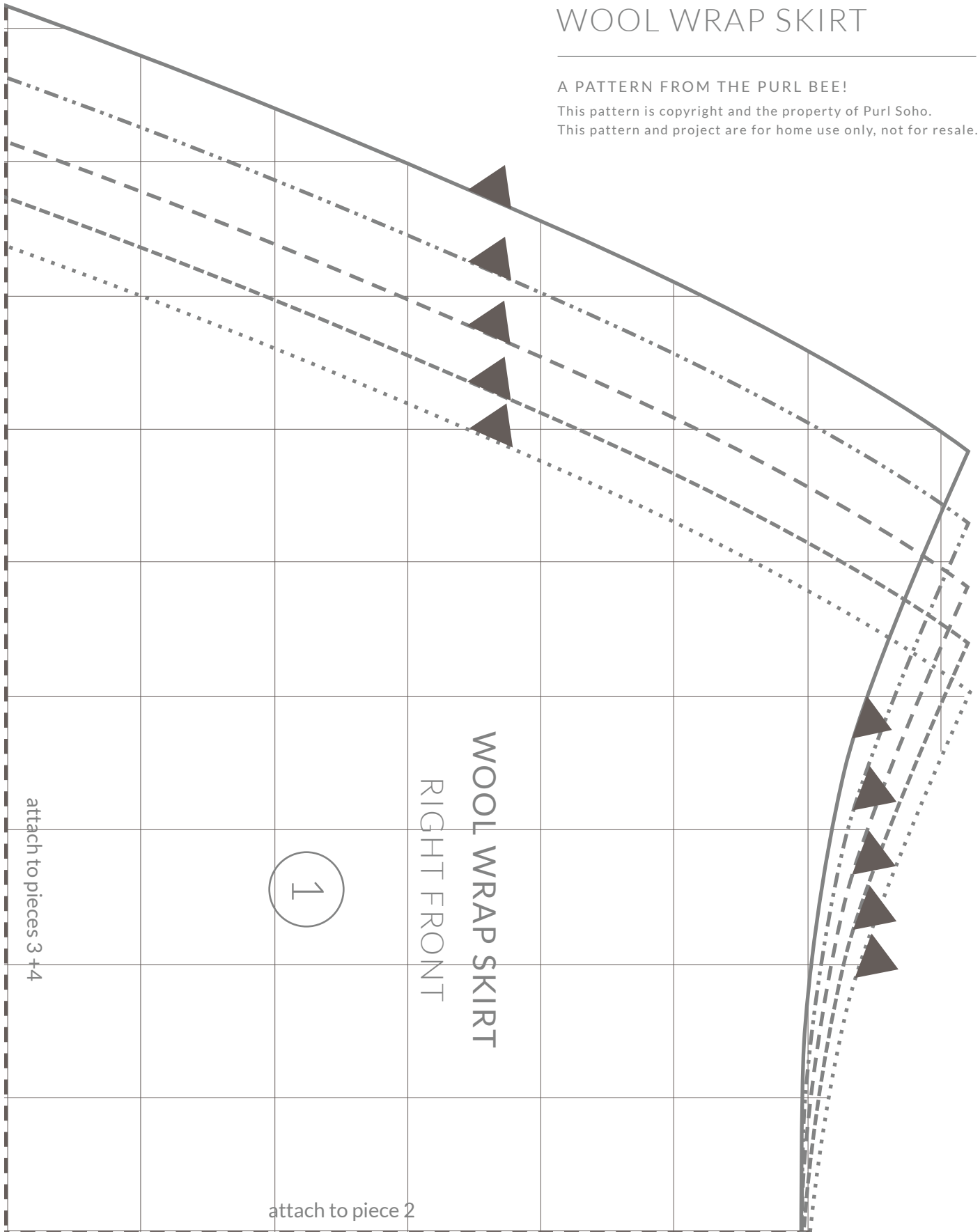
attach to piece 7

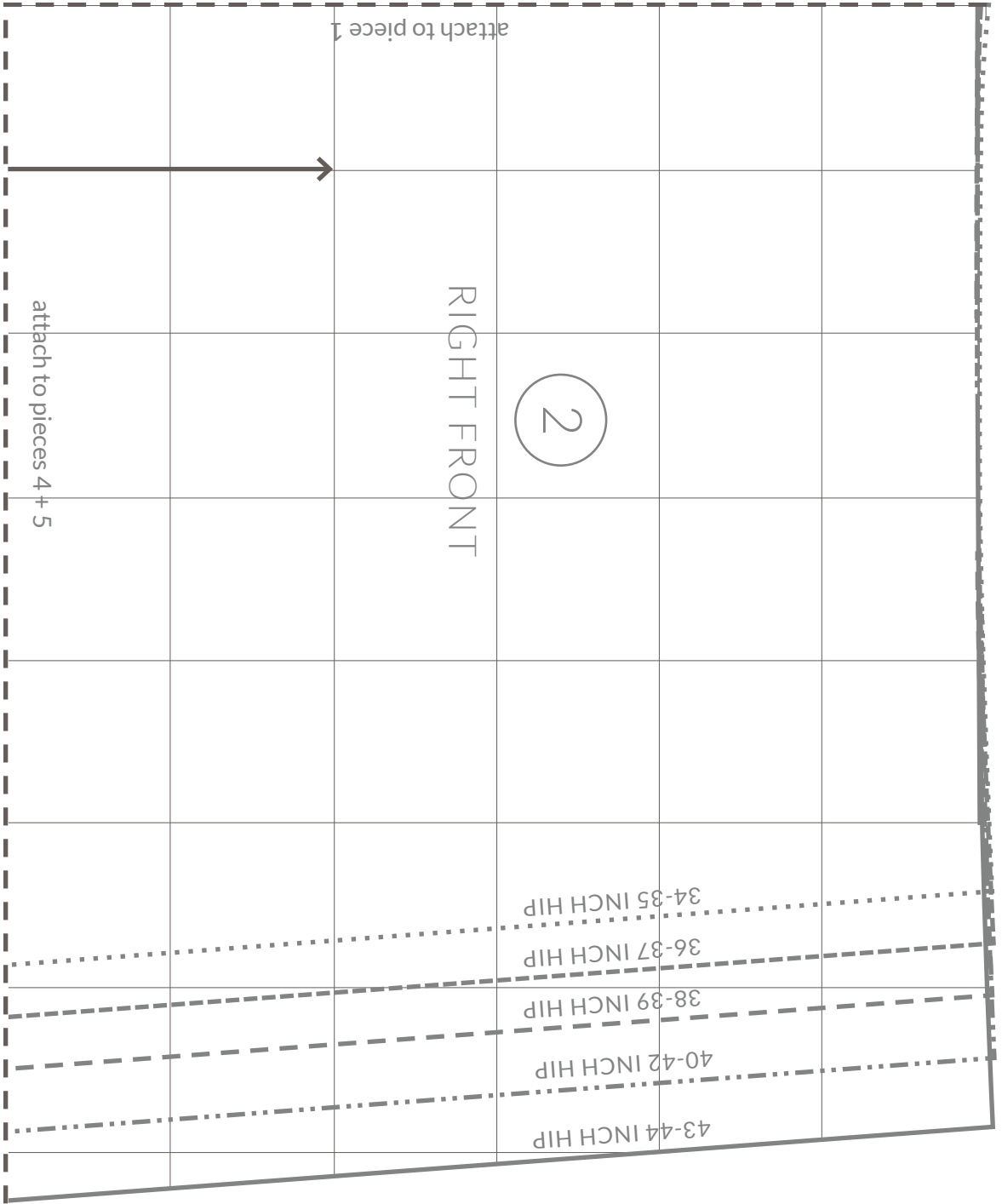


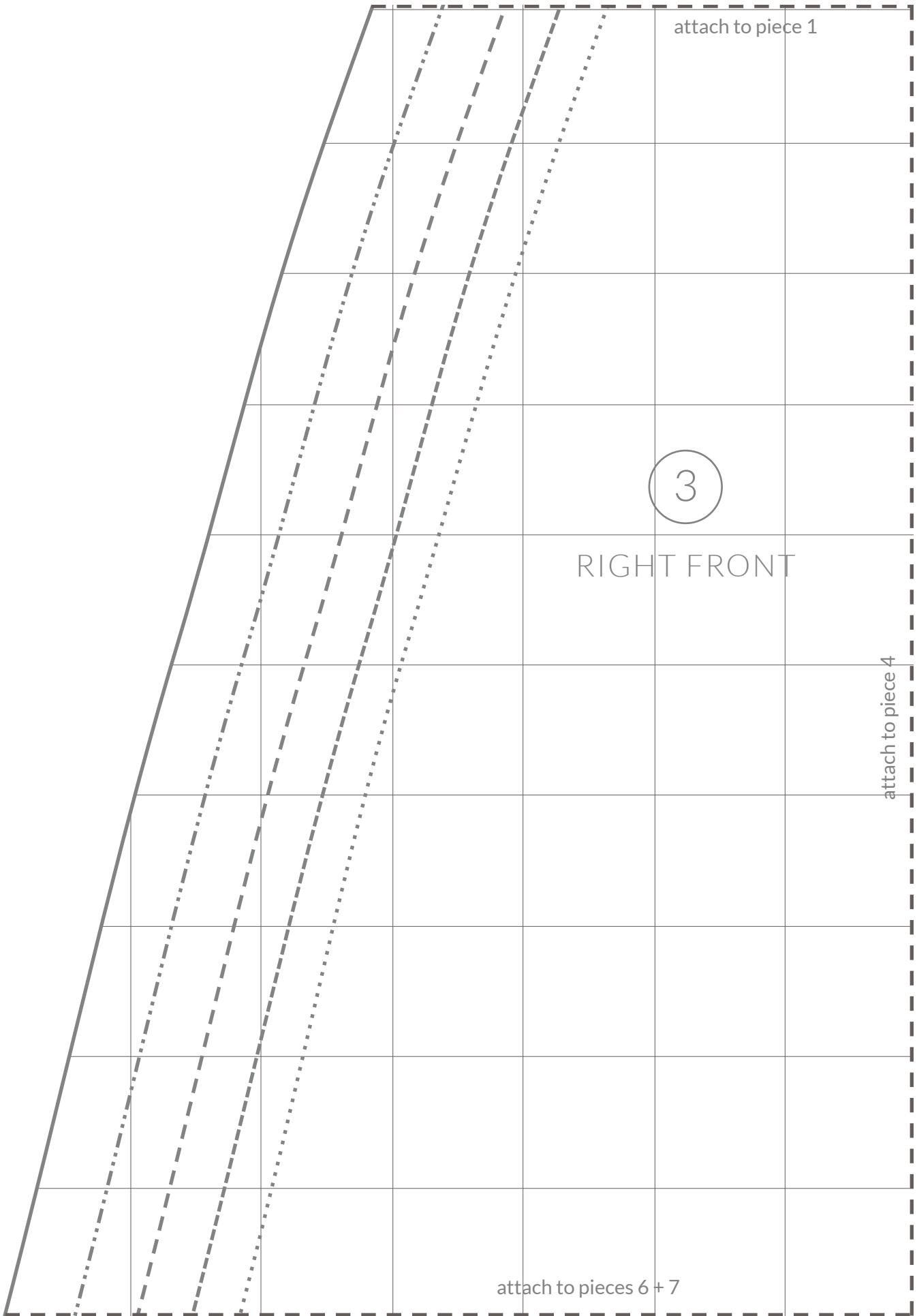
WOOL WRAP SKIRT

A PATTERN FROM THE PURL BEE!

This pattern is copyright and the property of Purl Soho.
This pattern and project are for home use only, not for resale.







attach to pieces 1+2

grain line

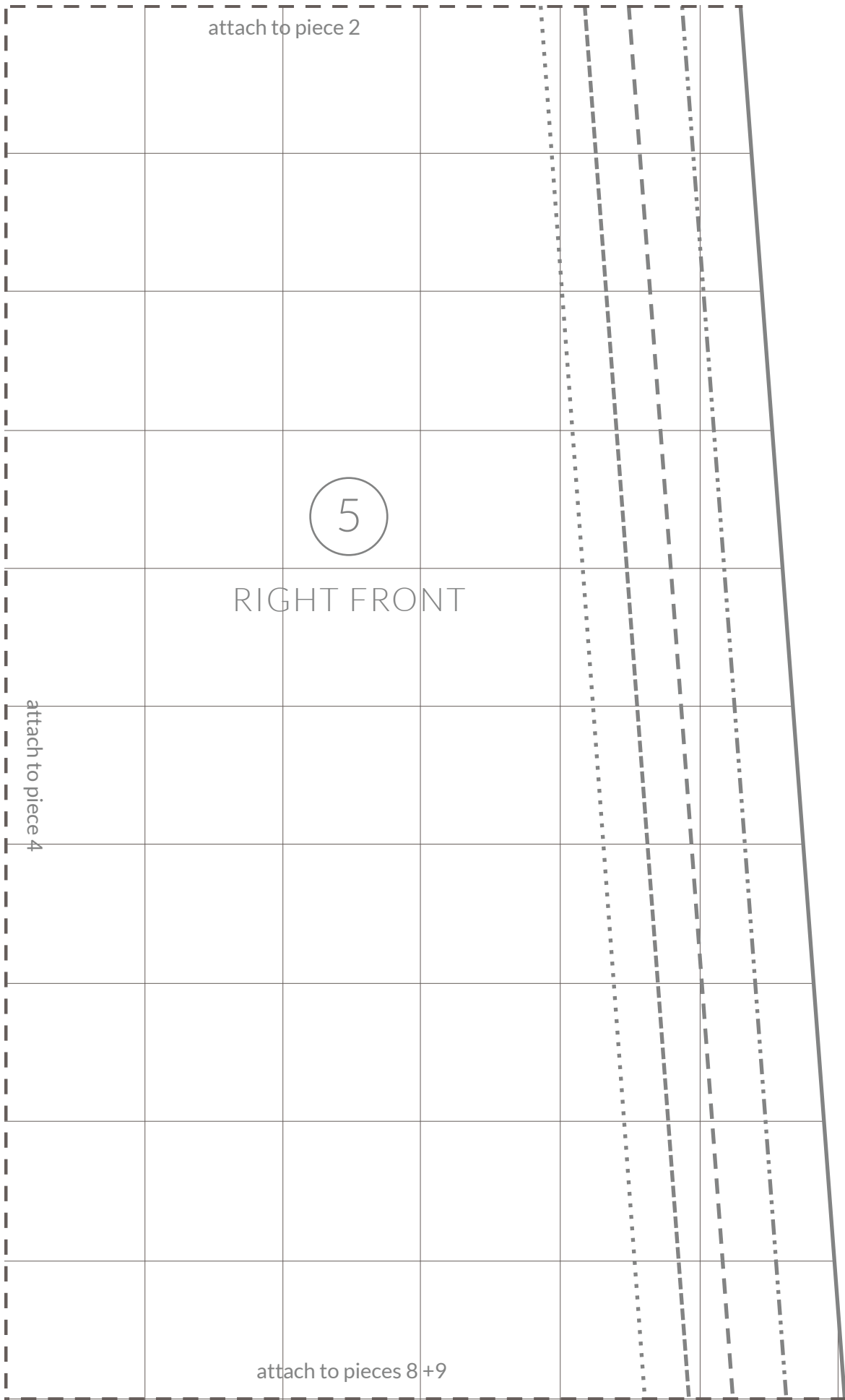
4

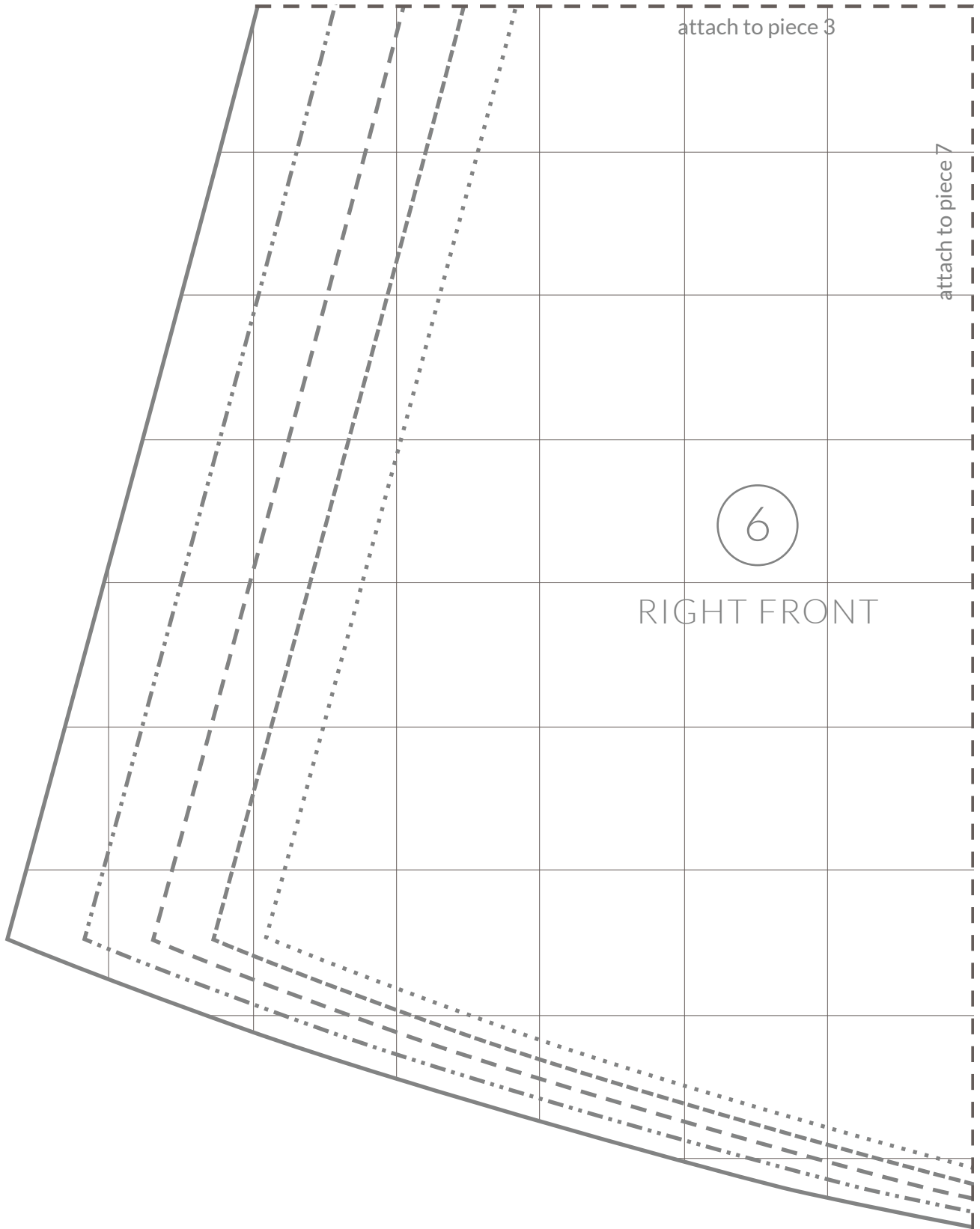
RIGHT FRONT

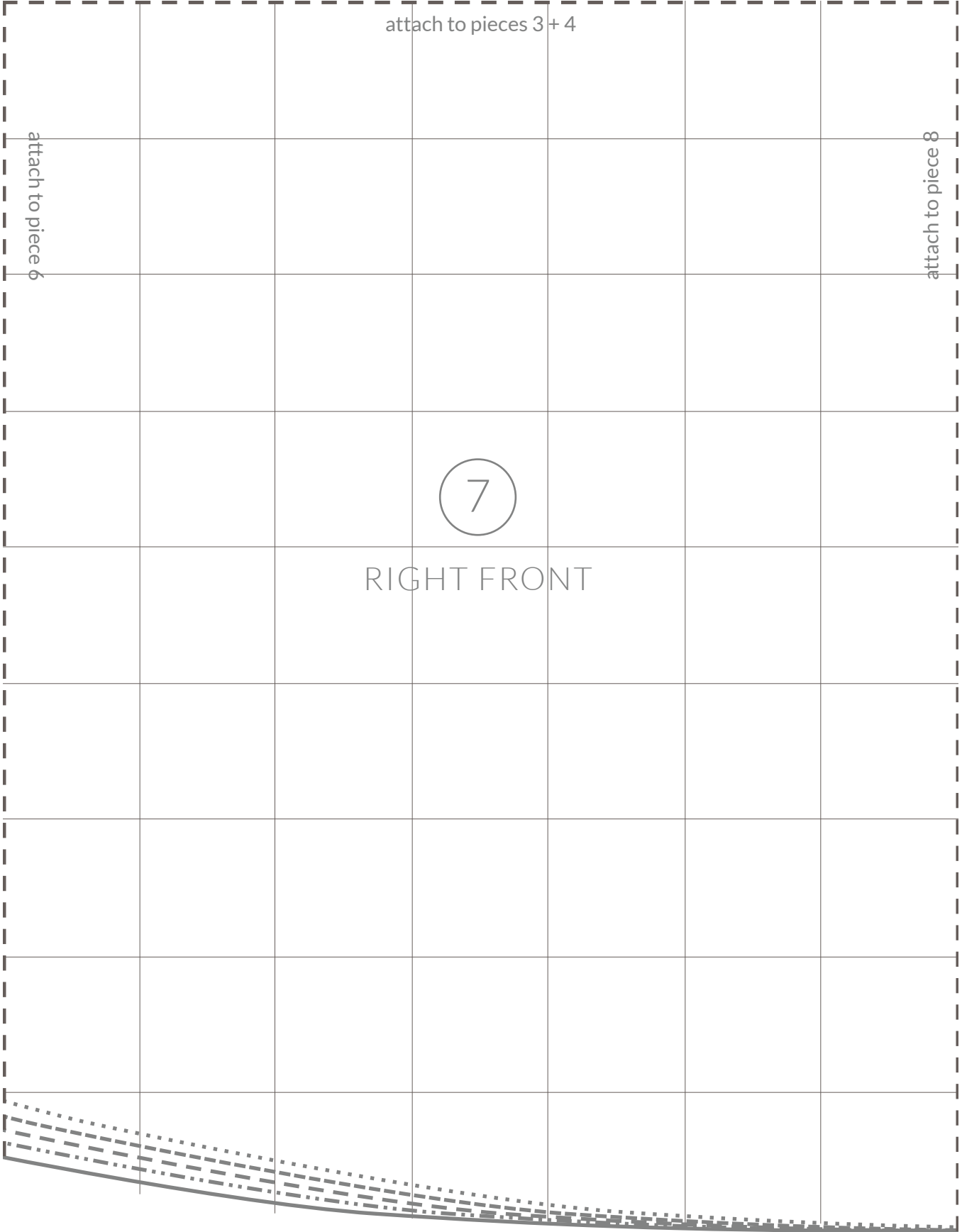
attach to piece 3

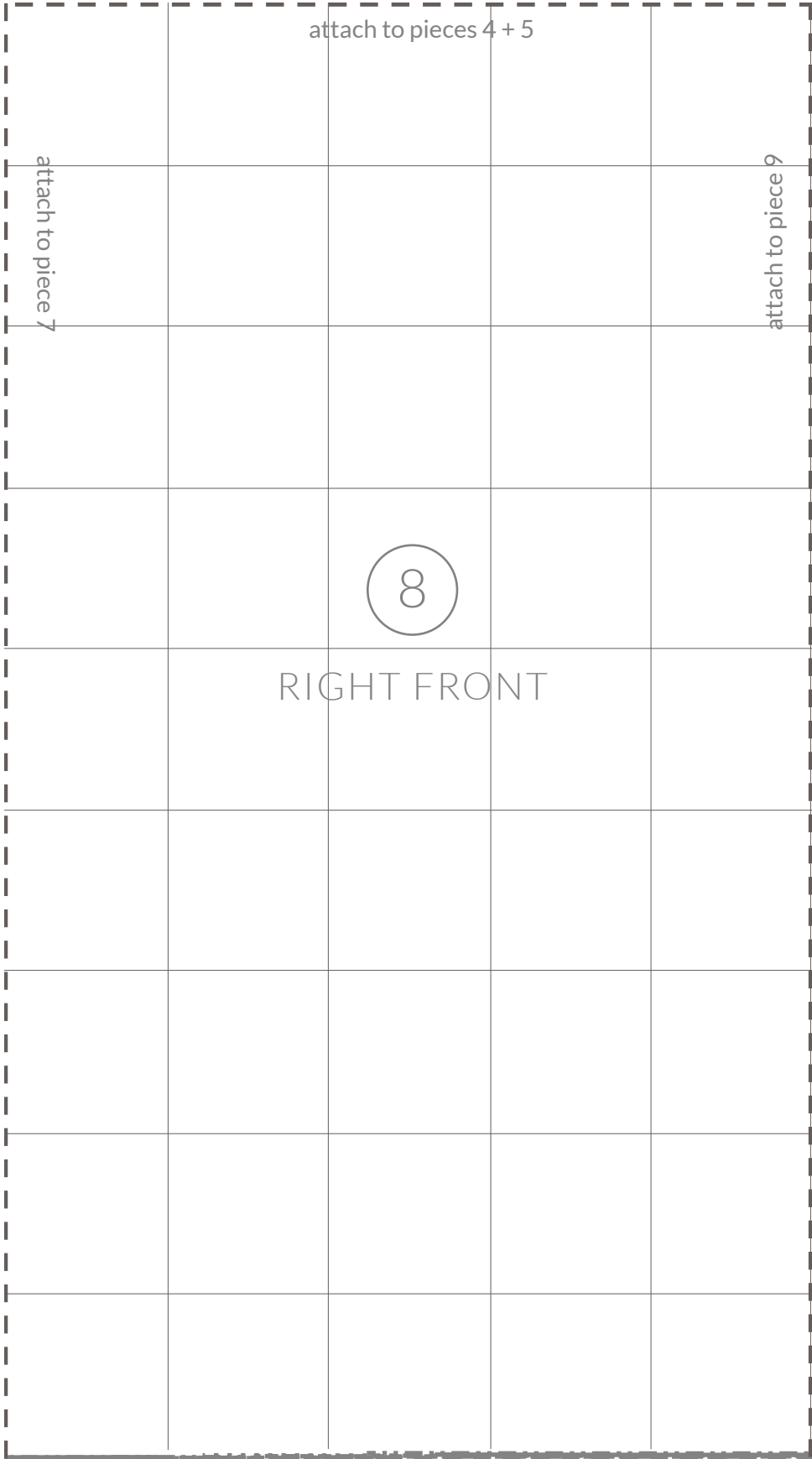
attach to piece 5

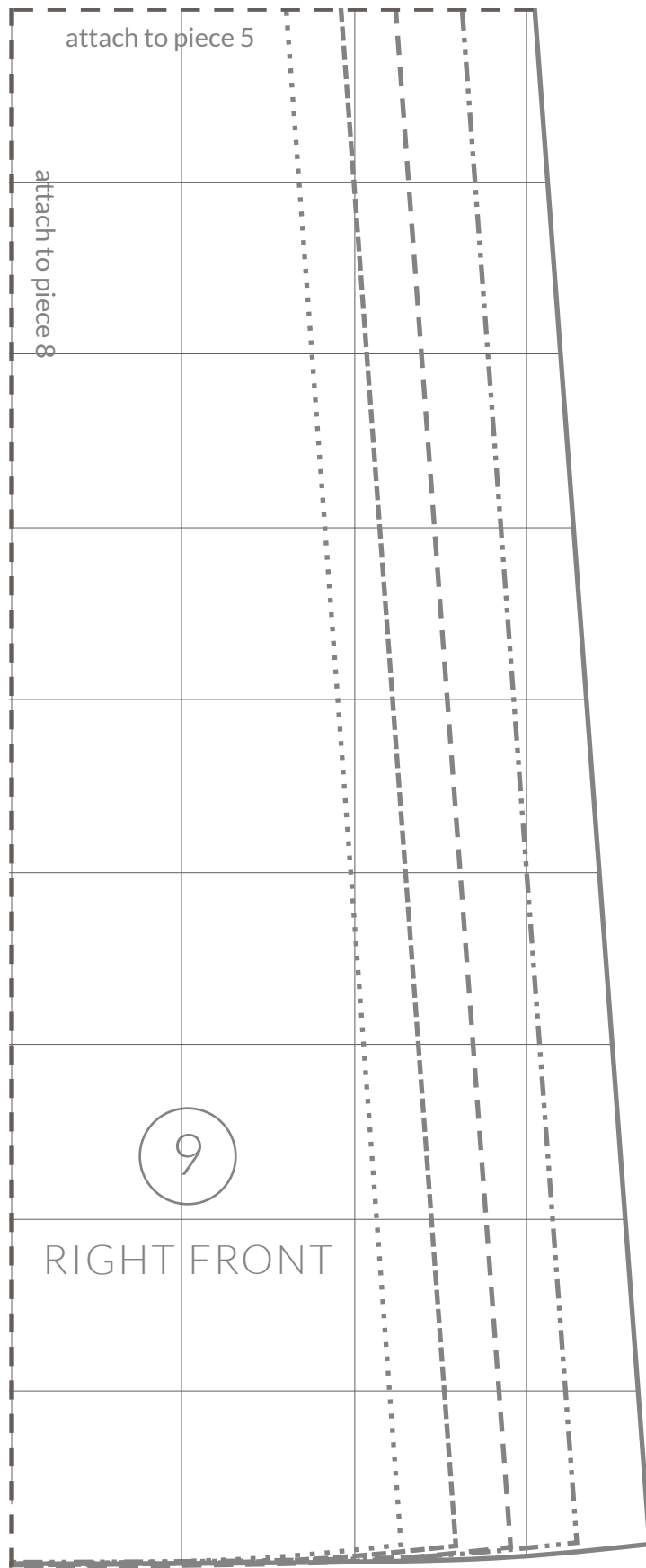
attach to pieces 7+8

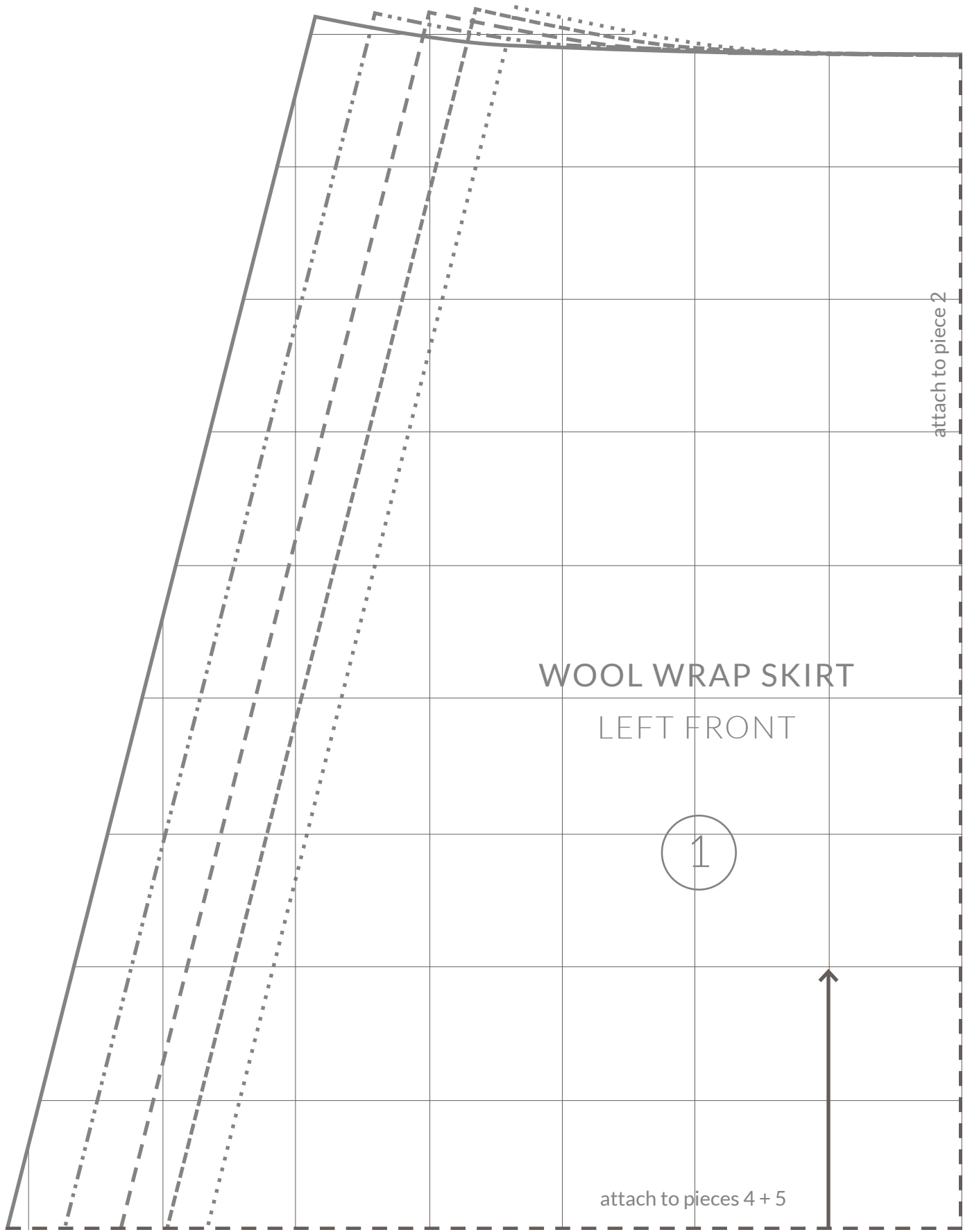












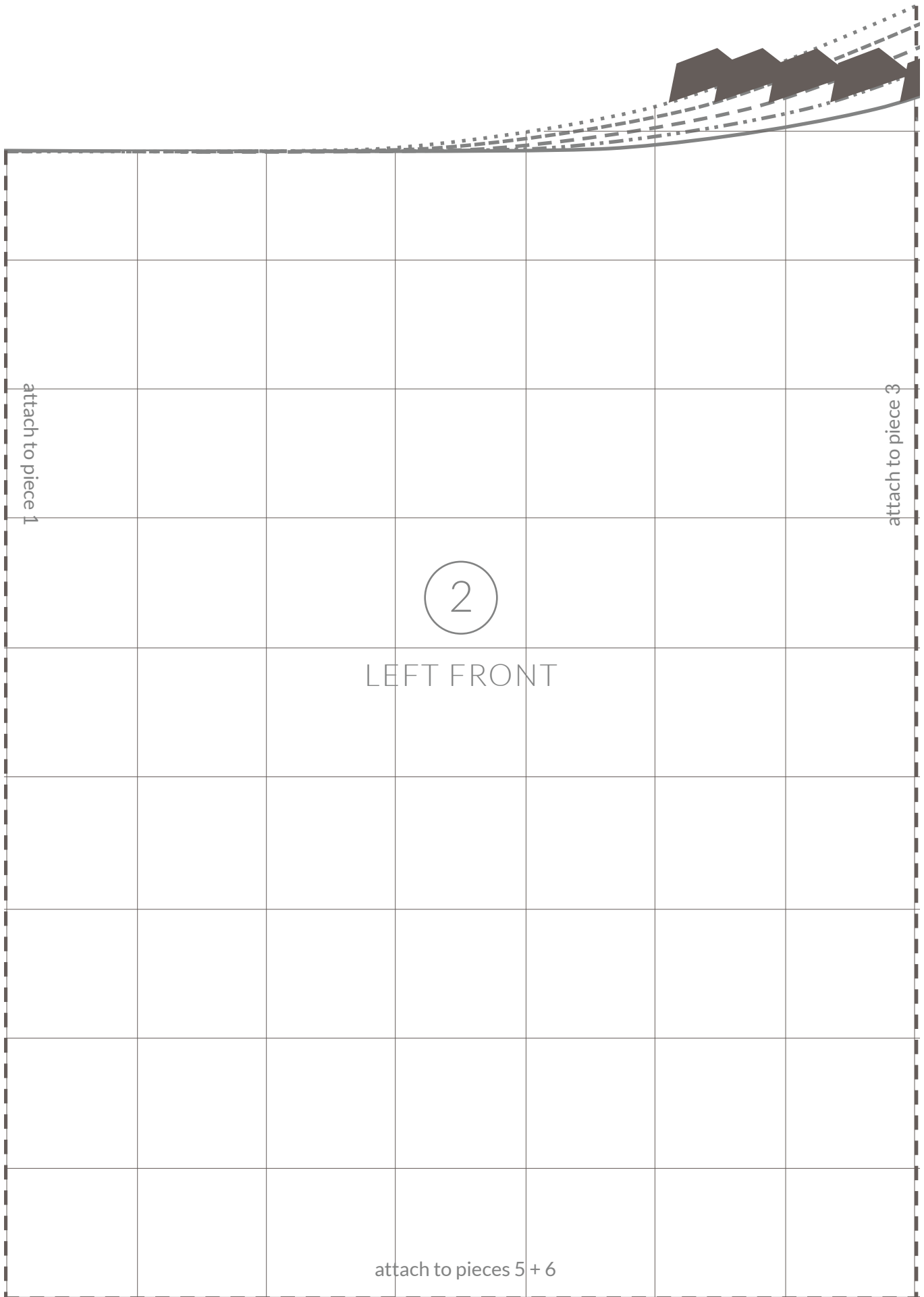
WOOL WRAP SKIRT
LEFT FRONT

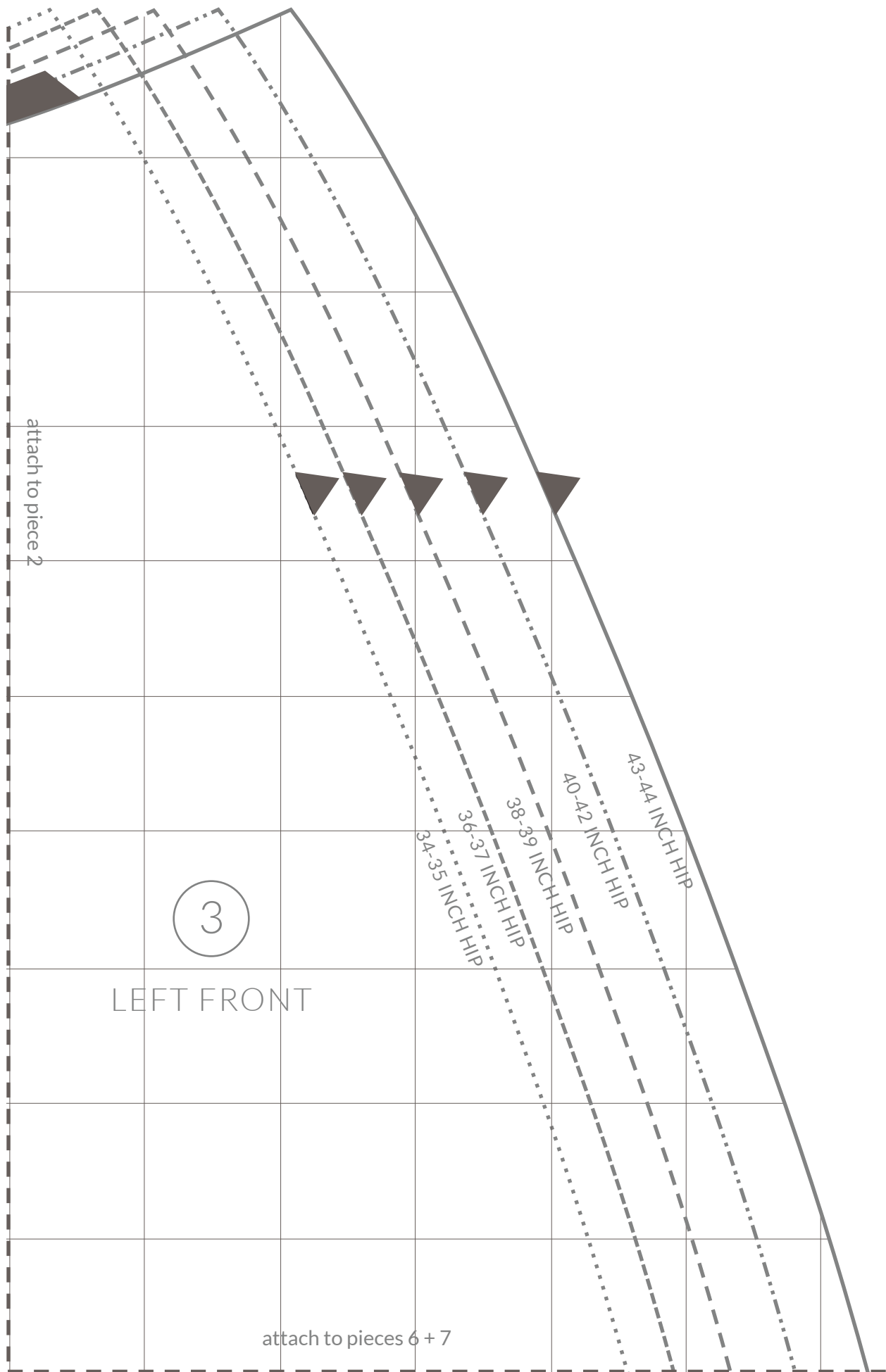
1

attach to piece 2

attach to pieces 4 + 5







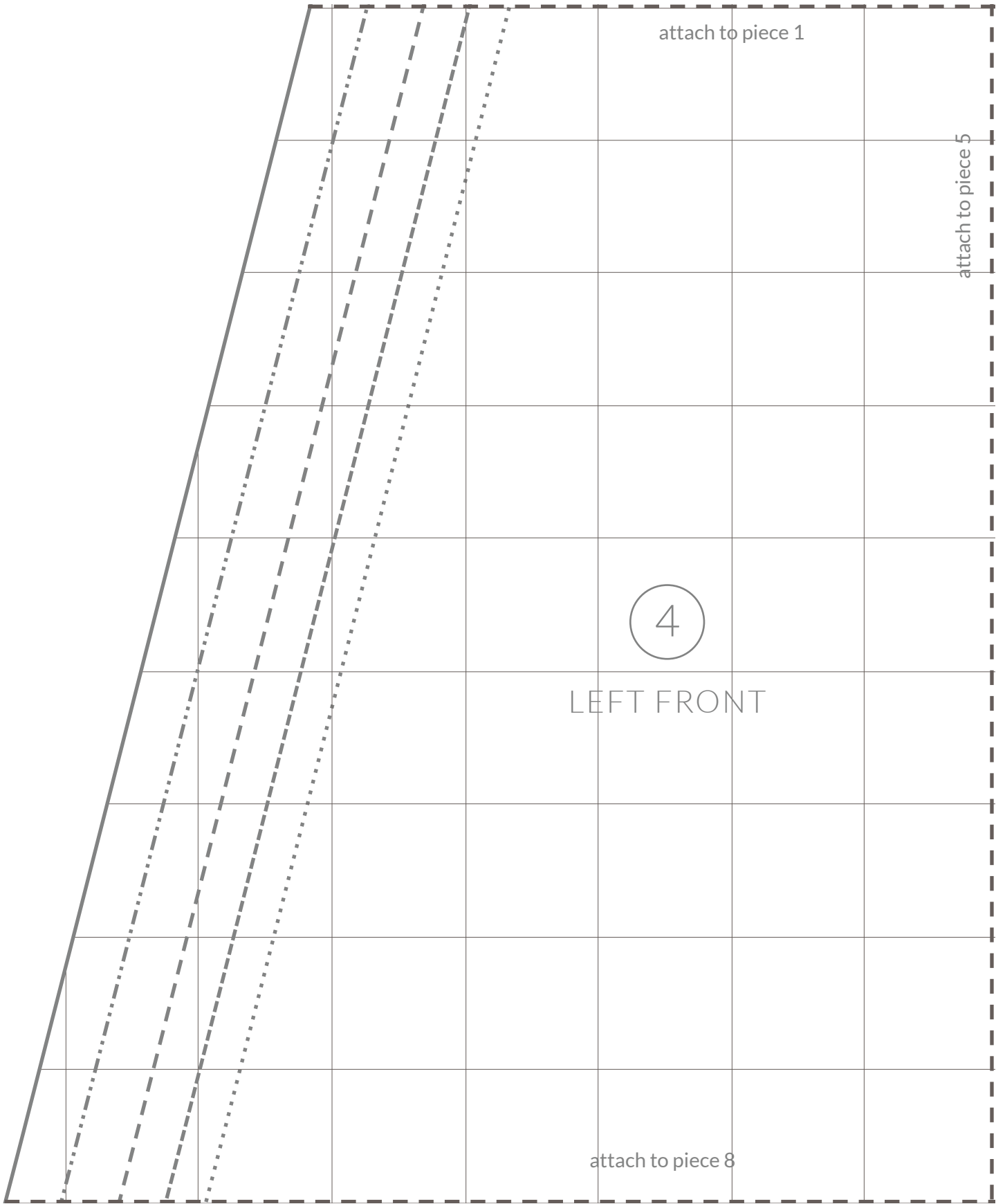
attach to piece 2

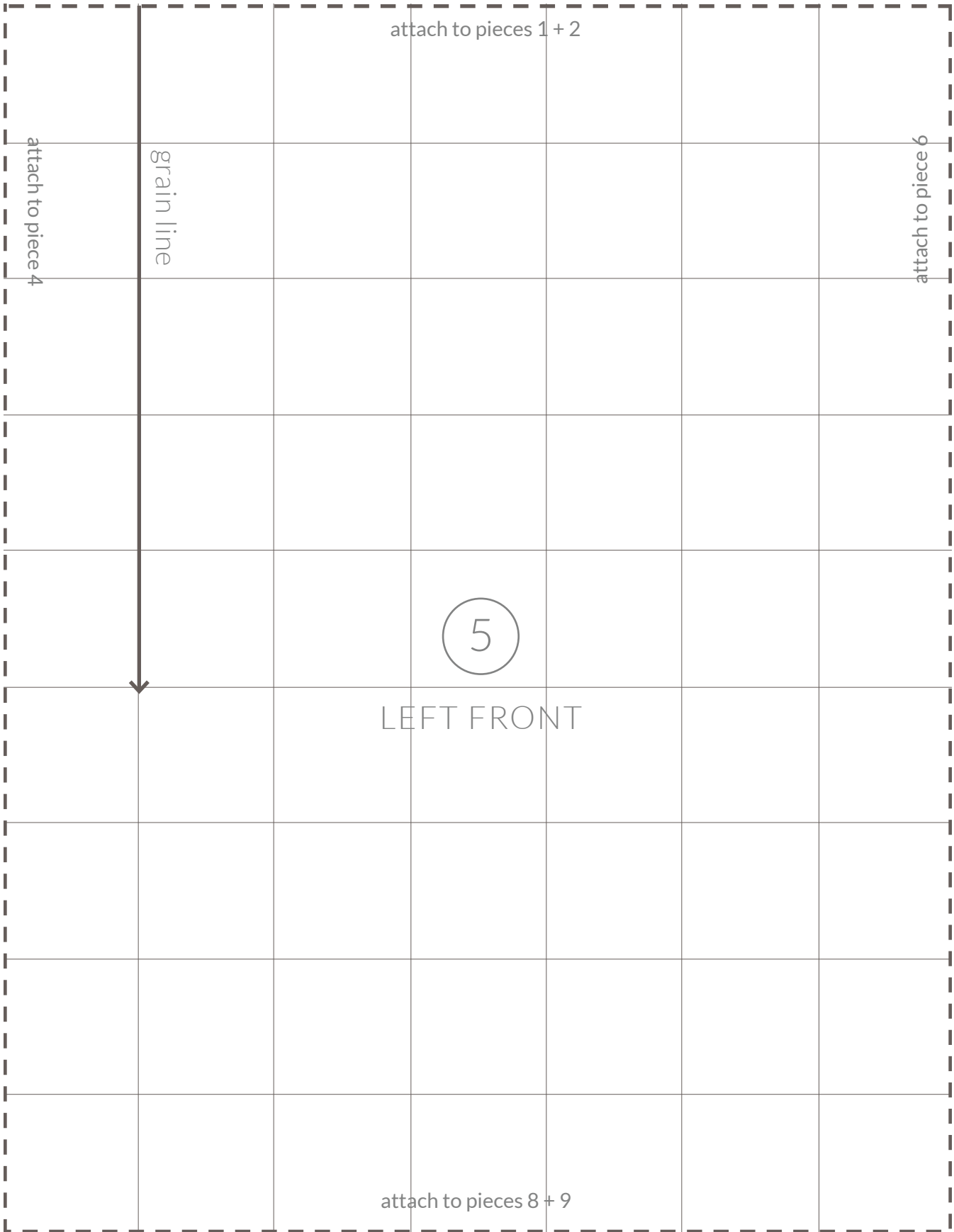
3

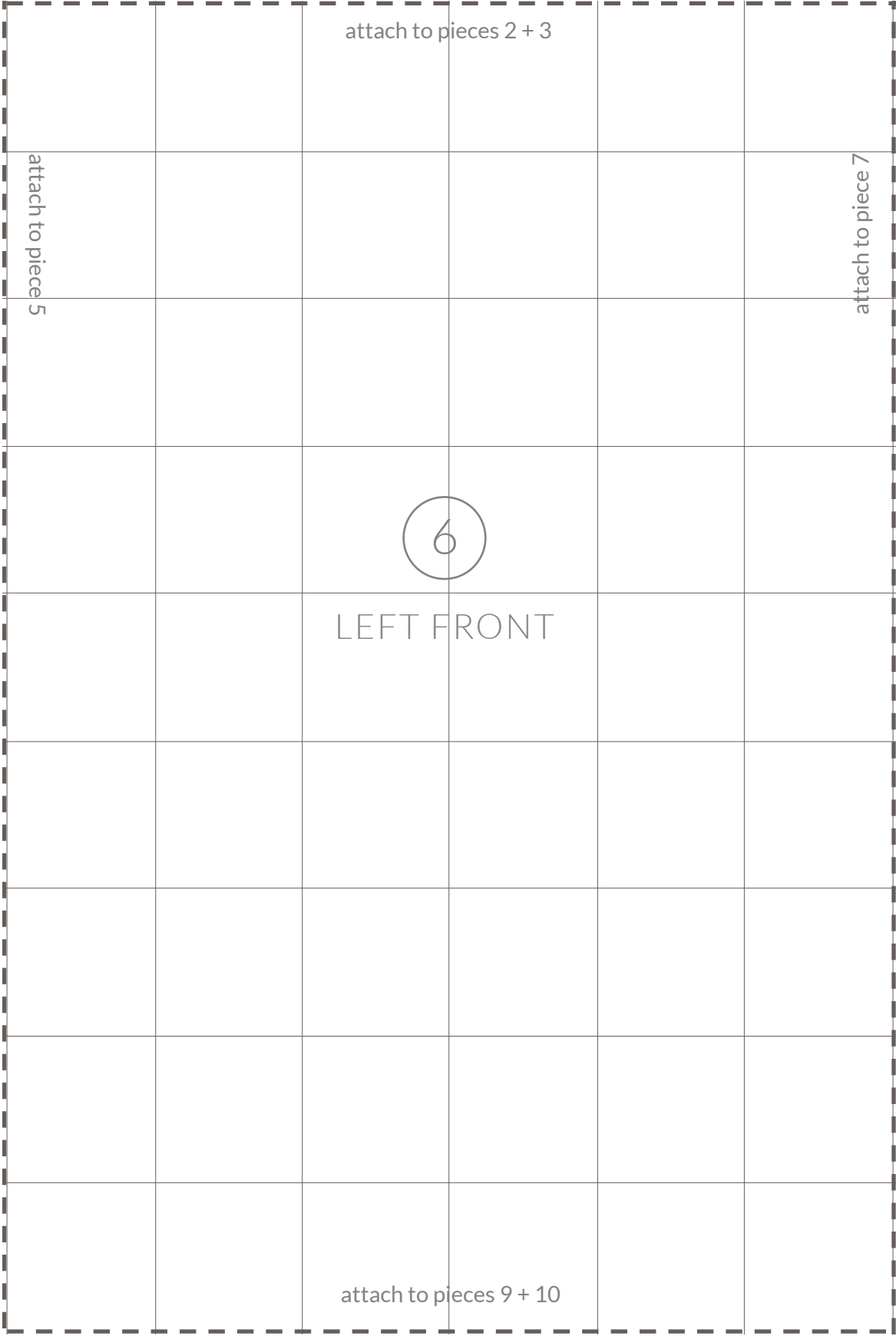
LEFT FRONT

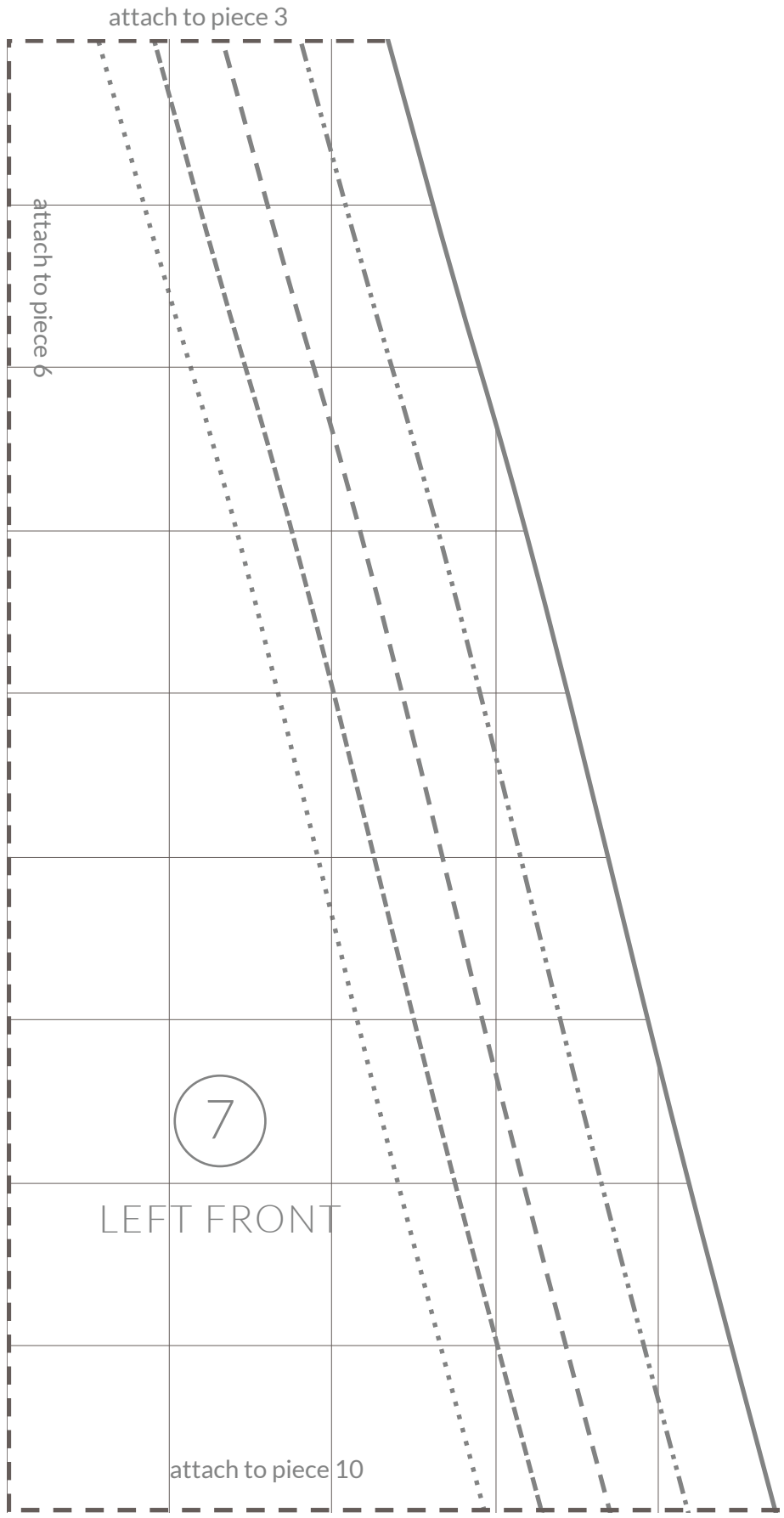
attach to pieces 6 + 7

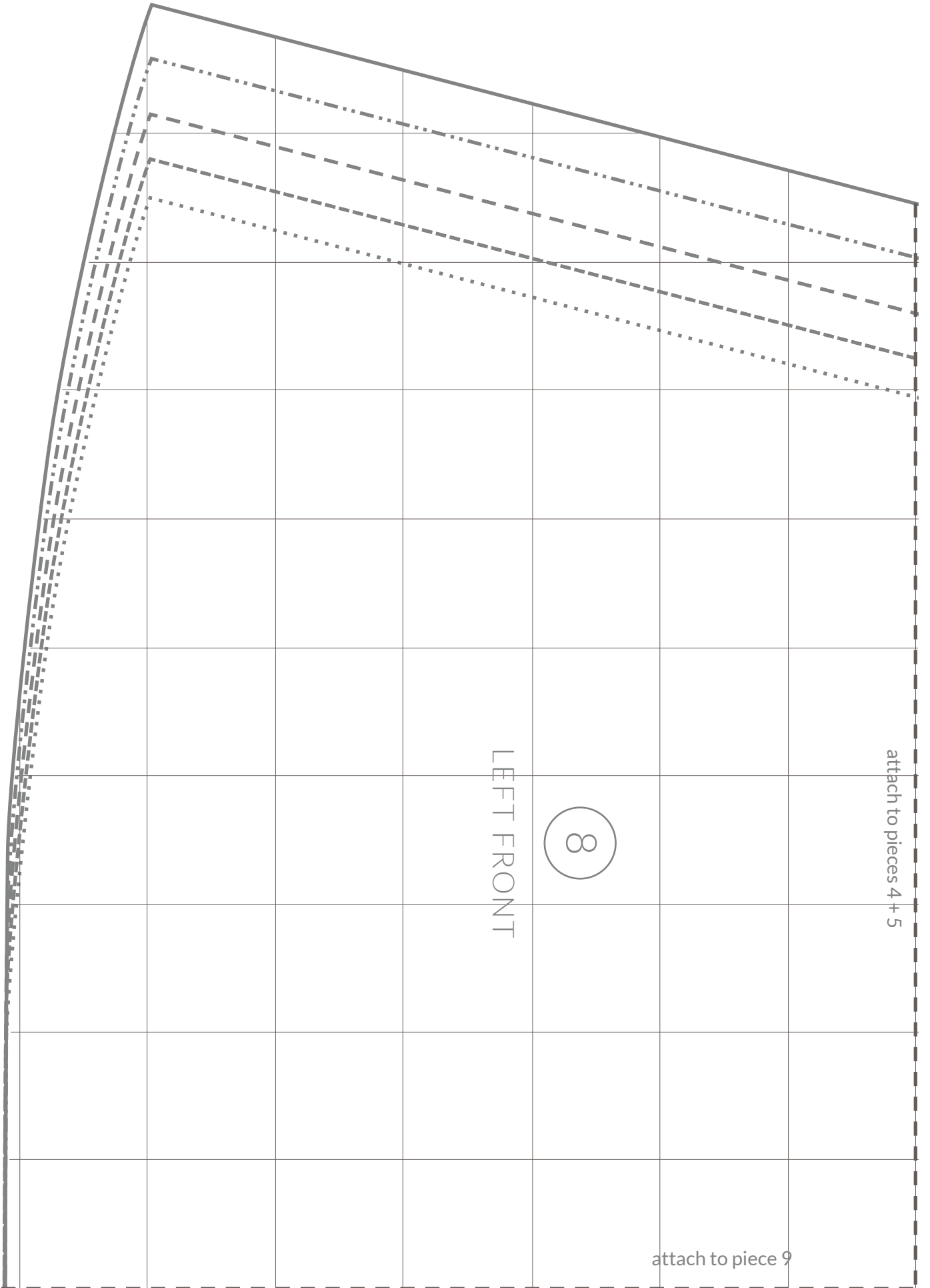
34-35 INCH HIP
36-37 INCH HIP
38-39 INCH HIP
40-42 INCH HIP
43-44 INCH HIP











attach to piece 8

attach to pieces 5 + 6

9

LEFT FRONT

attach to piece 10

